



Unity Home System



Integration Module replaces many modules required to run separate systems.

Video Door Unit allows homeowners to see and talk with visitors.



Graphical User Interface generated by the Integration Module makes it easy to control the Unity Home System.

All products offered in the Studio Design.

HA6401-BS
3-Room Unity Home System Kit

INNOVATIVE TECHNOLOGY

ONE SYSTEM – COMPLETE CONTROL

The Integration Module is a dedicated home systems controller designed to tie camera, lighting, intercom and audio systems together. The Integration Module generates the graphical user interface (GUI) that homeowners will come to know as their Unity Home System.

THE HOMEOWNER VIEW

A graphical user interface allows homeowners to see into and control their Unity Home System. It is logically laid out for homeowners to be able to call room-to-room with their intercom, adjust the volume of the music playing in the living room and view the front door camera with the navigational arrows and soft buttons on the LCD Console. With the release of software version 2.3 and additional hardware pieces, the Unity Home System now includes support for lighting control and Internet Radio, as well as mobile device control, remote IP camera viewing, and interface expansion capabilities.



7" LCD Console connected to the Integration Module (HA5000, HA6001)

SYSTEM FEATURES

- Up to six cameras per system
- Up to eight LCDs or TV Displays per system with expansion (TV displays can be shared for even more interfaces)
- System can be expanded for up to 16 audio zones
- Efficient Cat 5 installation
- All units self-discover when connected to power
- No programming required, easy personalization options
- Supports RF lighting control, thermostat functionality, messaging, and mobile access.





Unity Home System

RELATED PRODUCTS



IC5000-XX
Selective Call Intercom
Room Unit



AU5009-XX
lyriQ Keypad



IC5003-XX
Selective Call Intercom
Video Door Unit



CM5002-XX
Ball Camera



DRD4-X
RFLC Dimmer

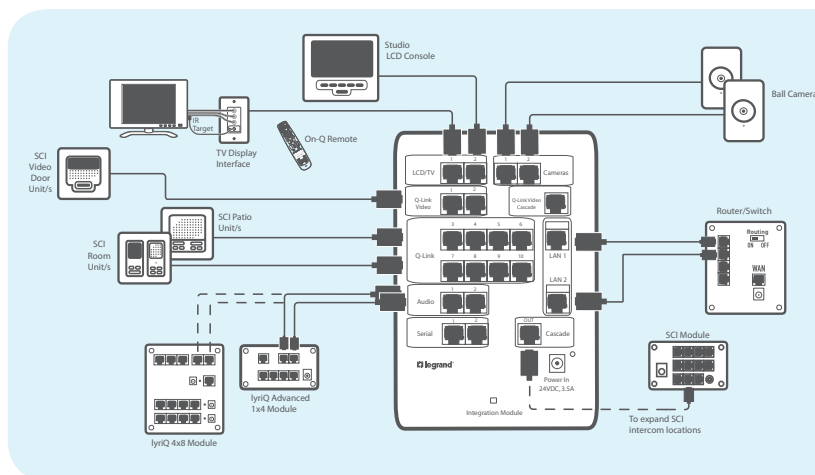
ADDITIONAL PRODUCTS

PRODUCT	PART #	COLOR
3-Room Unity Kit	HA6401-XX	White, Brushed Stainless
Integration Module	HA6001	N/A
LCD Console	HA5000-XX	Gloss Black, Light Almond, Titanium, White
LCD Console with lyriQ	HA5009-XX	Gloss Black, Light Almond, Titanium, White
LCD Console with High-Performance lyriQ	HA5010-XX	Gloss Black, Light Almond, Titanium, White
TV Display Interface	HA5201-XX	Black, Light Almond, White
Integration Expansion Module	HA6101	N/A
LCD and Advanced Camera Module	CM1048	N/A
RS232 Lighting Controller	LC2354	N/A

COLORS



WIRING DIAGRAM



INSTALLATION AT-A-GLANCE UNITY HOME SYSTEMS

1. Install the Integration Module in the enclosure.
 2. Run the appropriate number of cables to each device to be connected to the Integration Module.
 3. Install devices throughout the house.
 4. Connect cables at the device and at the Integration Module. Allow devices to self discover.
 5. Optionally expand.
 6. Personalize.
- *Network connection is required.*

301 Fulling Mill Road, Suite G
Middletown, PA 17057
(800) 321-2343



©2011 by Legrand. All Rights Reserved.

www.legrand.us/onq